

MEDIA STORAGE SOLUTIONS | MEDIA STORAGE RACKS

Mobile 12

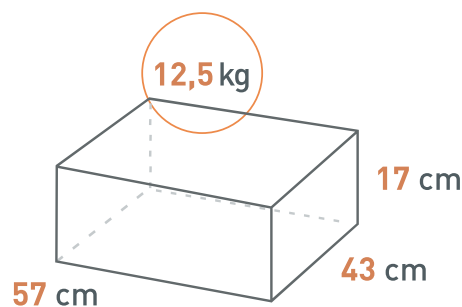
Basic storage for 2" core!



- 2"/3" core.
- Dimensions: 58 x 39 x 42,5 cm (L x W x H).
- Maximum roll OD: 18 cm.
- Loading capacity per roll: 38 kg.
- Locking wheels.



Ref: PHTIBM12R



460 kg

LOADING CAPACITY

12

ROLLS

162 cm

ROLL SIZE

Oddziały: